

SL1 – LED searchlight Compact & Powerful

- Compact size
- Progressive design
- Light weight
- Excellent EMC characteristics
- Ruggedized construction
- Unlimited horizontal movement
- Wave compensated tilt movement
- New user friendly operator panel logic
- Digital controlled spot and flood beam
- Over 2.0 MCd light intensity with LED
- Dimmable beam
- Hold light direction (HLD) function



SL1
SEARCHLIGHT

SL1 – Searchlight

Output / performance

Spot beam	3.5° / 1 800 kCd / 1340 m
Wide beam	15 ° / 420 kCd / 12 000 lm
Initial luminous flux	Over 30 000 lm
CRI	Min. 70
Color temp	6000

Input

Mains power searchlight	24 VDC, power consumption max 550W (for AC mains power, a separate AC/DC converter is needed)
Mains power operator panel	18 – 32 VDC

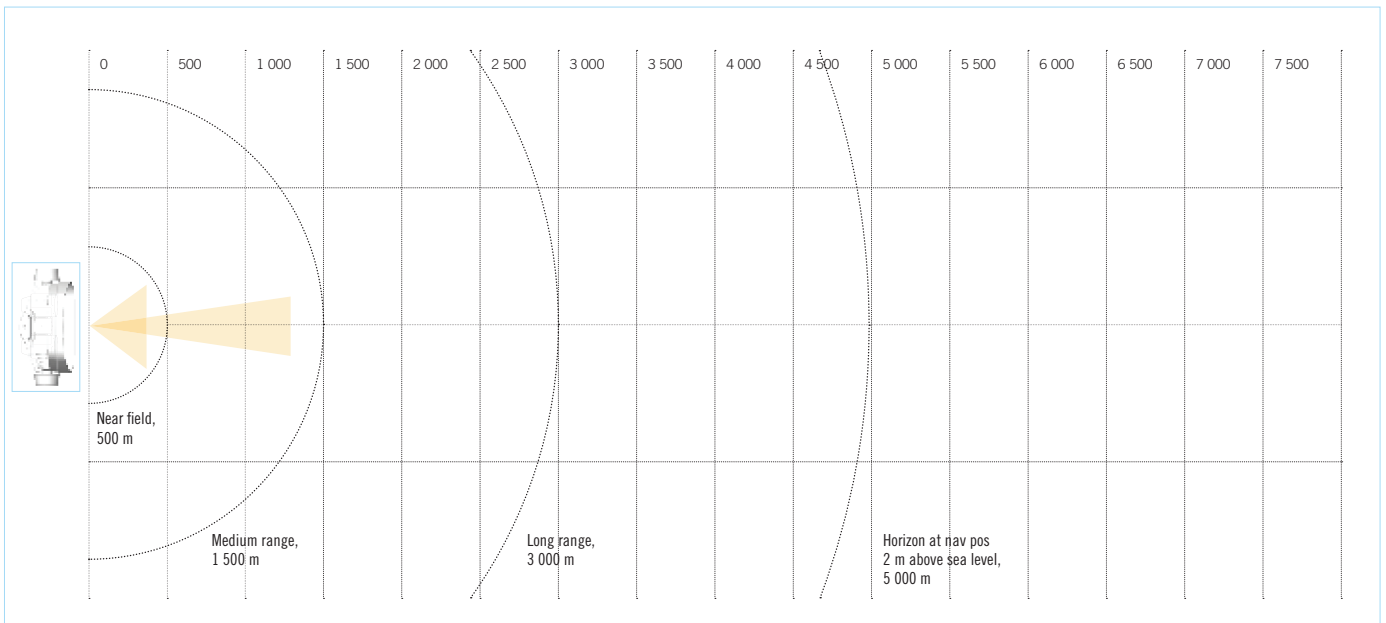
Pan/Tilt

Horizontal	Adaptive progressive control wheel Unlimited movement with slipping technology Horizontal movement max speed 33°/second
Vertical	Proportional progressive joystick + 90° / - 30 movement Vertical movement max speed 68°/second Wave compensation function – activate/deactivation

Functions

Direct button functions	Horizontal and vertical movement Light on/off Wave compensation on/off Hold light direction on/off Beam angle spot/flood Dimming step by step
Standard menu functions	Custom home screen – set your 4 most used functions Up to 4 programmable fixed positions Sweep in horizontal direction Surveillance in horizontal and vertical direction Switch – to another potential SL1 in the network Sync – advanced smarter sync with offset setting possibility

Illumination presentation

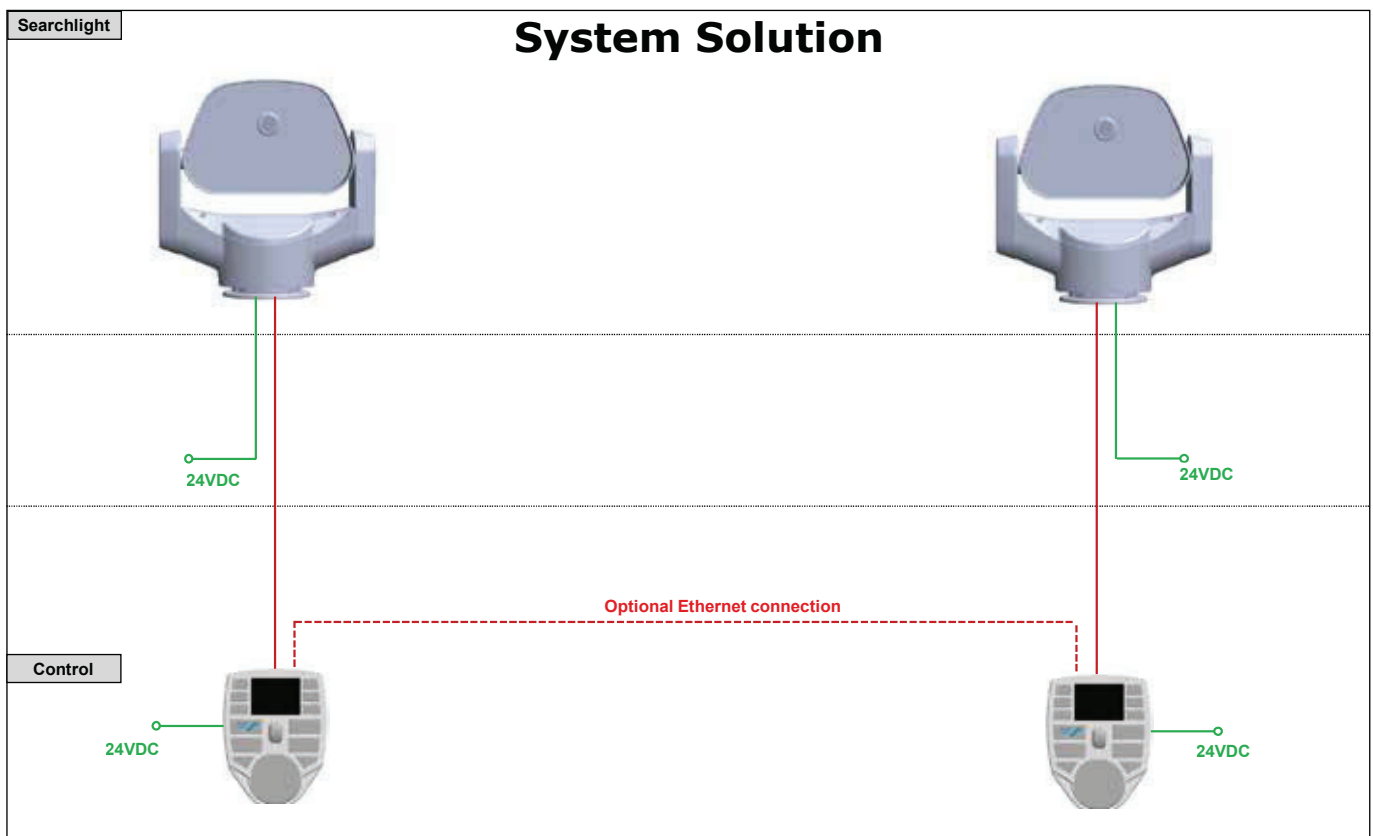


SL1 – Searchlight

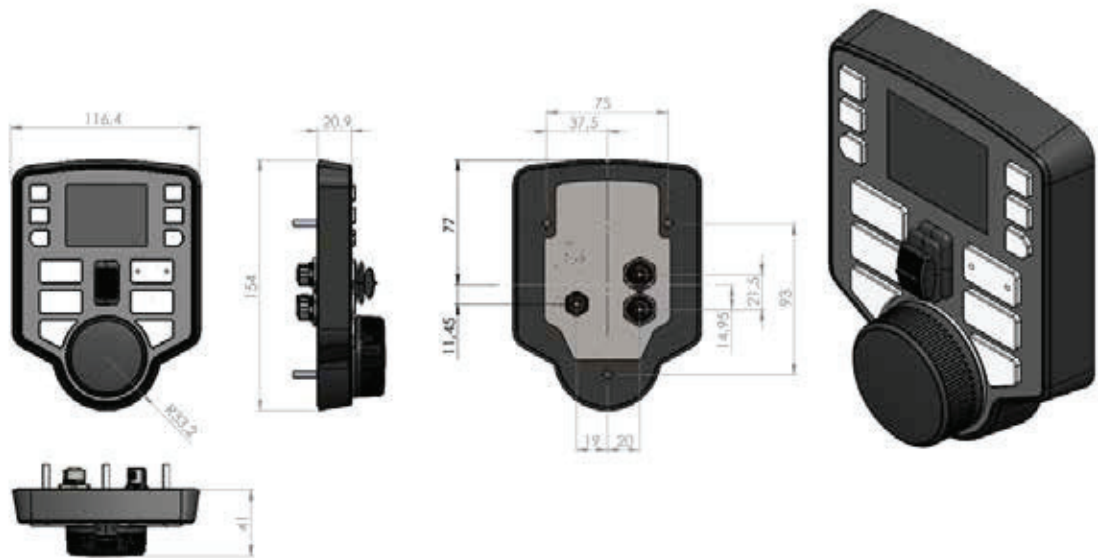
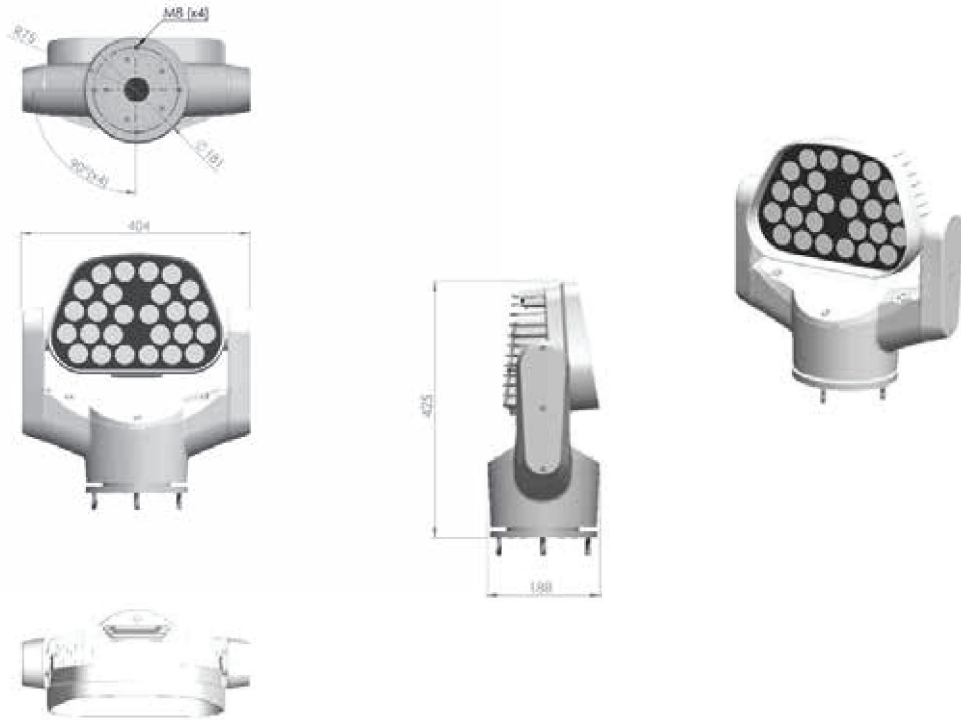
General specification

IP class	Searchlight IP66 Operator panel IP56
Operating temperature	Searchlight -40°C to +55°C* Operator panel -20°C to +55°C
EMC	Designed for IEC 60945
Vibration/shock	Designed for IEC 60945
Materials	<ul style="list-style-type: none"> - Searchlight body in seawater resistance aluminum, anodized and powder coated. - Searchlight mechanical hub in acidproof stainless steel. - Tempered front glass. - Operator panel made in PC-ABS.
Colours	<ul style="list-style-type: none"> - The searchlight body comes in 3 colour versions: - White RAL 9016 gloss level 70 - Matt Jet Black RAL 9005 gloss level 20 - Matt Light grey RAL 7035 gloss level 20
Electrical interface to vessel	<ul style="list-style-type: none"> - DC power 3 wires (+/-/earth) - Ethernet for operator control panel
Mechanical interface to vessel	4 x threaded rod M8 in the searchlight mechanical hub. Sealing between vessel and searchlight mechanical hub for galvanic insulation (and to avoid water ingress in wheelhouse).
Static size and weight	19 x 40 x 42 cm, 18 kg
Optional hardware	<ul style="list-style-type: none"> - Side entry connection adaptor (Q3 2019) - Stray light reduction shield (Q3 2019) - Integration Unity Hub (Q3 2019)

*Temperature monitored LED for increased lifetime. Reduced light effect at higher environmental temperatures



SL1 – Searchlight



SL2 – LED searchlight Compact & Powerful

- Compact size
- Progressive design
- FiFi regulation compliance
- Excellent EMC characteristics
- Ruggedized construction
- Unlimited horizontal and vertical movement
- User friendly operator panel logic
- Powerful spotbeam for range
- Massive wide beam for near vessel operations
- Over 4.0 MCd total light intensity
- Optional integration and automation functions



SL2
SEARCHLIGHT

SL2 – Searchlight

Output / performance

Spot beam	3.5° / 3 600 kCd / 1 900 m
Wide beam	15 ° / 840 kCd / 24 000 lm
Initial luminous flux	Over 60 000 lm
CRI	Min. 70
Color temp	6000

Input

Mains power searchlight	24 VDC to electrical cabinet. Power consumption max 800 W (for AC mains power, an alternative electrical cabinet is available)
Mains power operator panel	9 – 28 VDC

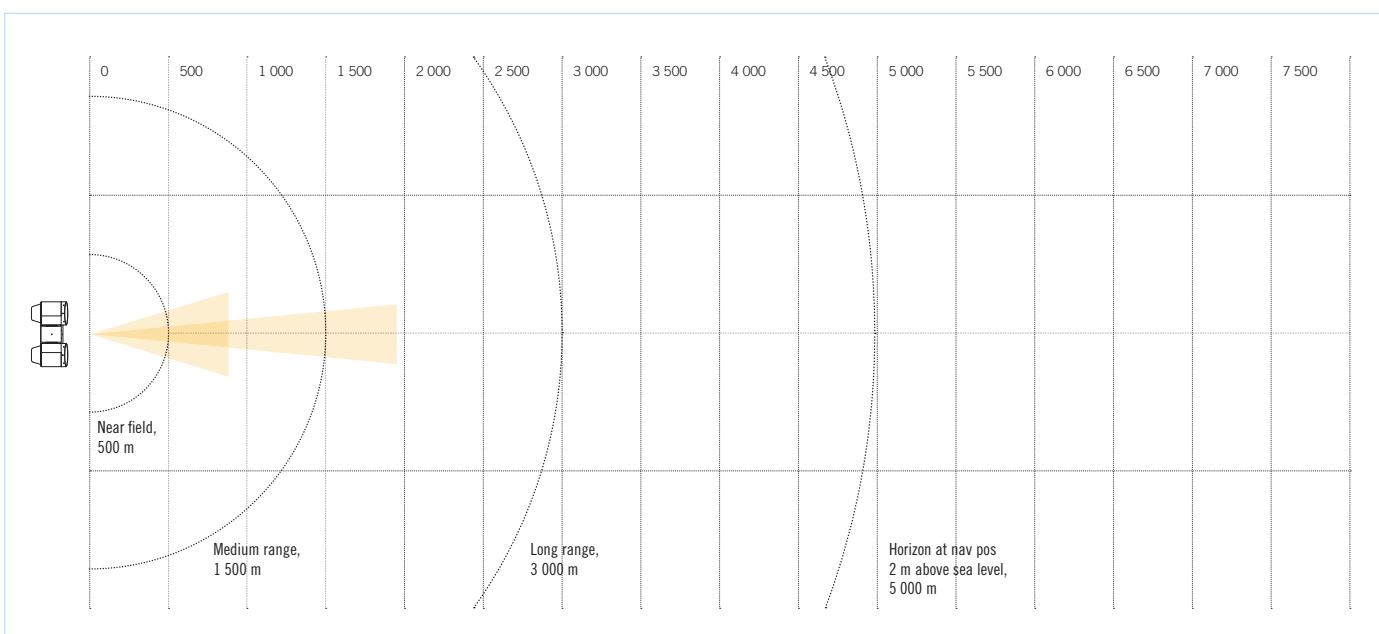
Pan/Tilt

Both axis	Proportional progressive joystick Unlimited movement in horizontal and vertical direction with slipping technology Movement max speed 33°/second
------------------	--

Functions

Direct button functions	Horizontal and vertical movement Light on/off Beam angle spot/flood Dimming step by step
Standard menu functions	Up to 4 programmable fixed positions Sweep in horizontal direction Surveillance in horizontal and vertical direction Switch – to another searchlight in the network Synchronized control

Illumination presentation

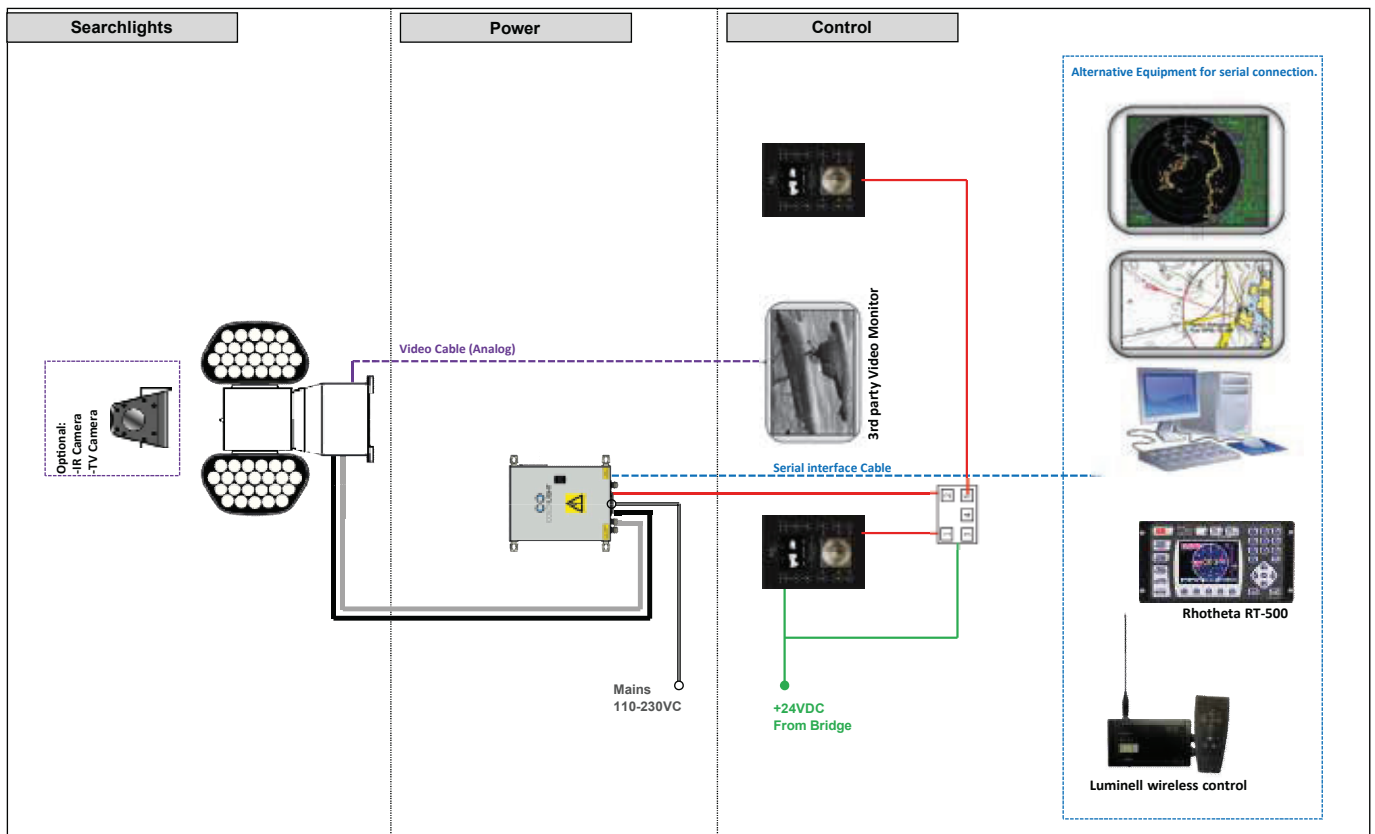


SL2 – Searchlight

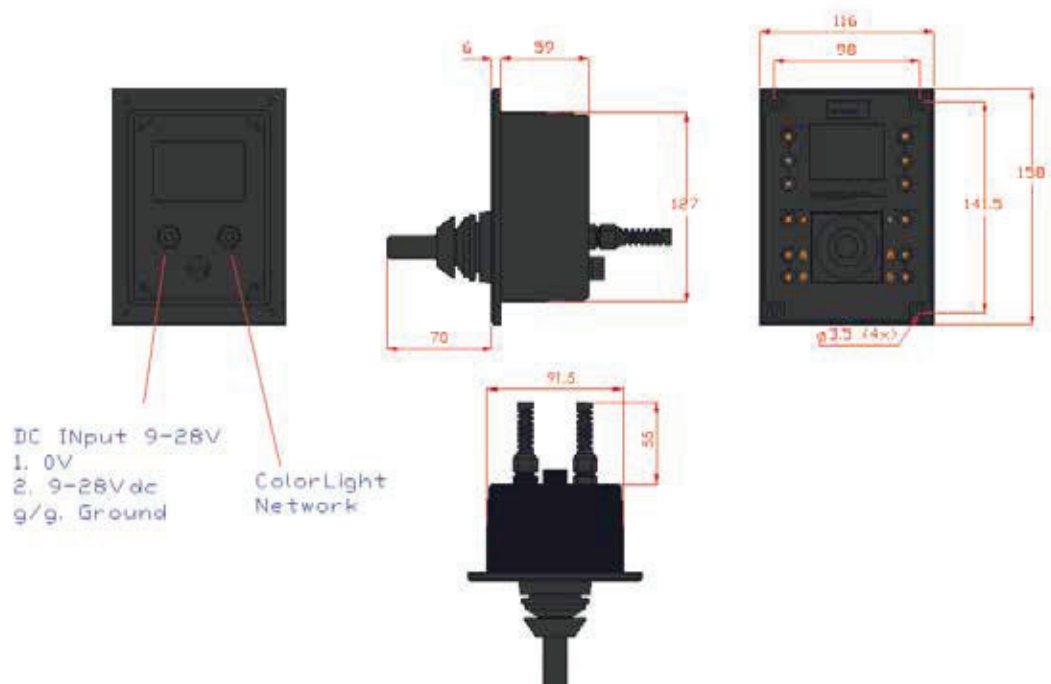
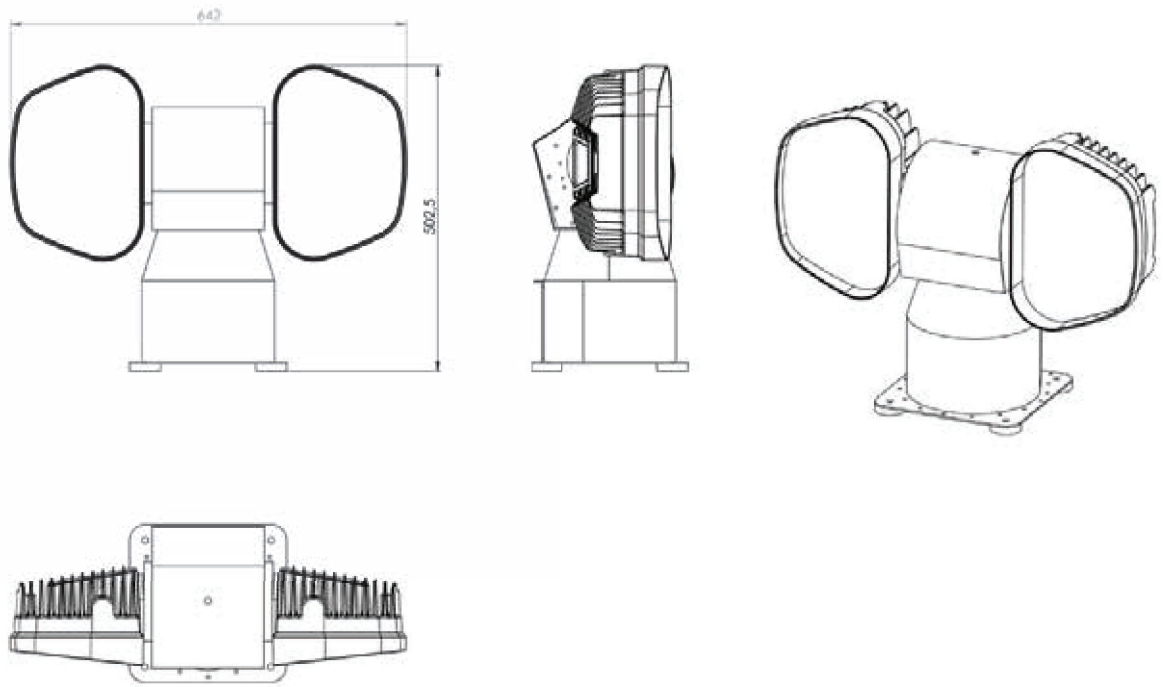
General specification

IP class	Searchlight IP66 Operator panel IP56
Operating temperature	Searchlight -40°C to +55°C* Operator panel -20°C to +55°C
EMC	Designed for IEC 60945
Vibration/shock	Designed for IEC 60945
Materials	- Searchlight body in acidproof stainless steel 1.4404, powder coated. - LED-module in seawater resistant aluminum, powder coated white. - Tempered front glass. - Operator panel made in ABS and anodized aluminum
Colours	- The searchlight comes in 3 optional colours: - White RAL 9016 gloss level 70 - Matt Jet Black RAL 9005 gloss level 20 - Matt Light grey RAL 7035 gloss level 20
Electrical interface to vessel	- DC or AC power cable as electrical block schematic. - Ethernet for operator control panel
Mechanical interface to vessel	4 x M10 bolts in the searchlight mechanical foot. Vibration dampers for protection and galvanic insulation.
Static size and weight	26x65x50 cm, weight 28 kg (excluding cabinet and operator panel) (see also drawing)

*Temperature monitored LED for increased lifetime. Reduced light effect at higher environmental temperatures



SL2 – Searchlight



SL2IR – LED searchlight with integrated thermal imager

- Compact size
- Progressive design
- FiFi regulation compliance
- Excellent EMC characteristics
- Ruggedized construction
- Unlimited horizontal and vertical movement
- User friendly operator panel logic
- Powerful spotbeam for range
- Massive wide beam for near vessel operations
- Over 4.0 MCd total light intensity
- Optional integration and automation functions
- Ruggedized built in thermal imager



* IR cam 2 year



SL2IR
SEARCHLIGHT

SL2IR – Searchlight

Output / performance

Spot beam	3.5° / 3 600 kCd / 1 900 m
Wide beam	15 ° / 840 kCd / 24 000 lm
Initial luminous flux	Over 60 000 lm
CRI	Min. 70
Color temp	6000

Input

Mains power searchlight	24 VDC to electrical cabinet. Power consumption max 800 W (for AC mains power, an alternative electrical cabinet is available)
Mains power operator panel	9 – 28 VDC

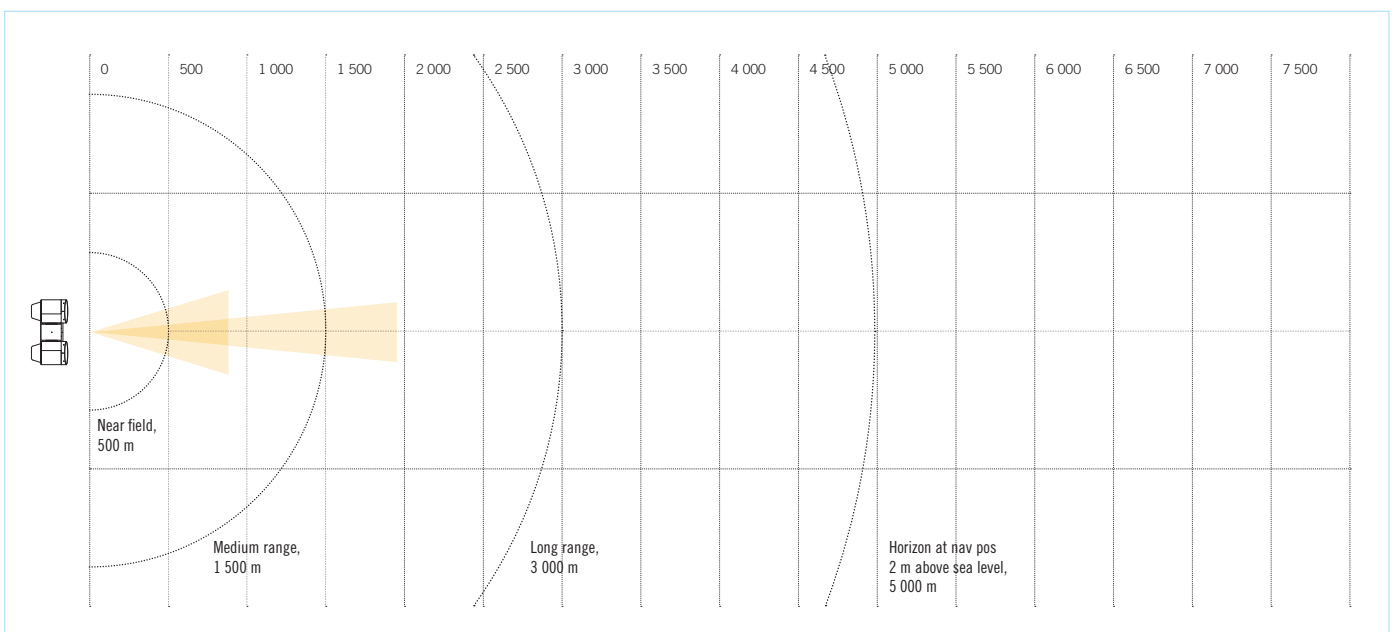
Pan/Tilt

Both axis	Proportional progressive joystick Unlimited movement in horizontal and vertical direction with slipping technology Movement max speed 33°/second
------------------	--

Functions

Direct button functions	Horizontal and vertical movement Light on/off Beam angle spot/flood Dimming step by step
Standard menu functions	Up to 4 programmable fixed positions Sweep in horizontal direction Surveillance in horizontal and vertical direction Switch – to another searchlight in the network Synchronized control

Illumination presentation



Performance of thermal imager

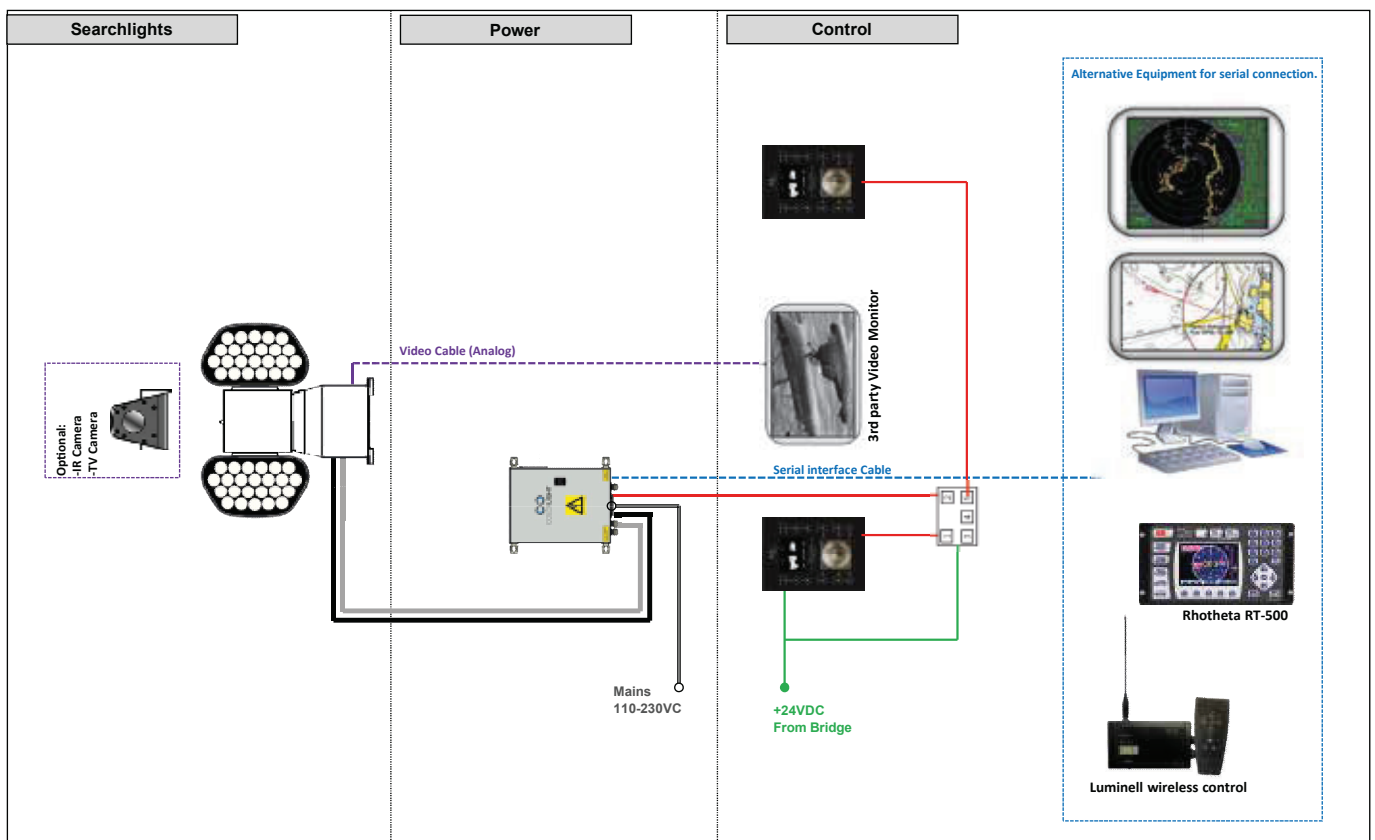
IR STD 336 RES	FOW 13 x 10°	800 m Detection man, 2 000 m Detection small vessel
IR STD 640 RES	FOW 25 x 20°	900 m Detection man, 2 800 m Detection small vessel

SL2IR – Searchlight

General specification

IP class	Searchlight IP66 Operator panel IP56
Operating temperature	Searchlight -40°C to +55°C* Operator panel -20°C to +55°C
EMC	Designed for IEC 60945
Vibration/shock	Designed for IEC 60945
Materials	- Searchlight body in acidproof stainless steel 1.4404, powder coated. - LED-module in seawater resistant aluminum, powder coated white. - Tempered front glass. - Operator panel made in ABS and anodized aluminum
Colours	- The searchlight comes in 3 optional colours: - White RAL 9016 gloss level 70 - Matt Jet Black RAL 9005 gloss level 20 - Matt Light grey RAL 7035 gloss level 20
Electrical interface to vessel	- DC or AC power cable as electrical block schematic. - Ethernet for operator control panel
Mechanical interface to vessel	4 x M10 bolts in the searchlight mechanical foot. Vibration dampers for protection and galvanic insulation.
Static size and weight	26x65x50 cm, weight 28 kg (excluding cabinet and operator panel) (see also drawing)

*Temperature monitored LED for increased lifetime. Reduced light effect at higher environmental temperatures



SL2IR – Searchlight

