

SAILOR® 6222 VHF DSC CLASS A

COBHAM

Improving everyday communications

2014 Product Sheet

The most important thing we build is trust

SAILOR 6222 VHF DSC continues the proud SAILOR tradition of setting new standards for GMDSS VHF design. It is a vital tool for daily operation and has been developed for the harsh maritime environment as part of the innovative SAILOR 6000 Series. It is based on the same foundation of high reliability, ease-of-use and leading-edge functionality that has positioned SAILOR as the top name in maritime VHF.

SAILOR 6222 VHF provides flexibility through straightforward installation, either as part of a GMDSS console or on its own. As a result of improved, high performance and innovative, easy-to-use functionality the radio offers important operational enhancements. It introduces several new hardware and software improvements, including the improved SAILOR Replay functionality. The highly advanced 3.2" QVA display ensures the information can be read regardless of the light conditions on the bridge – day or night. The text can be displayed as white on black background, and as black on white background, to provide the optimal reading condition in daylight. Red backlight protects the night vision of the user.

- Unique SAILOR Replay (240 sec.) of incoming communication
- High quality display – perfect night and day vision
- Powerful 6W loudspeaker
- Intuitive and easy to operate menu structure
- Large tactile buttons and wheelknobs for easy operation
- The popular SAILOR handset
- ThraneLINK

The SAILOR 6222 VHF is the first ever DSC Class A to be rated waterproof to IPx6 and IPx8, making it possible to install on open workboats or outside deck areas.

More than GMDSS

SAILOR 6222 VHF complies with DSC spec. 493-13 for VHF DSC Class A, which is part of the mandatory requirements for SOLAS vessels, and many national GMDSS requirements. In addition to its role as part of GMDSS it is one of the most advanced, high quality and powerful VHF radios available today. It is very well suited to a wide variety of maritime operational communications on board fishing vessels, merchant, offshore ships and workboats.

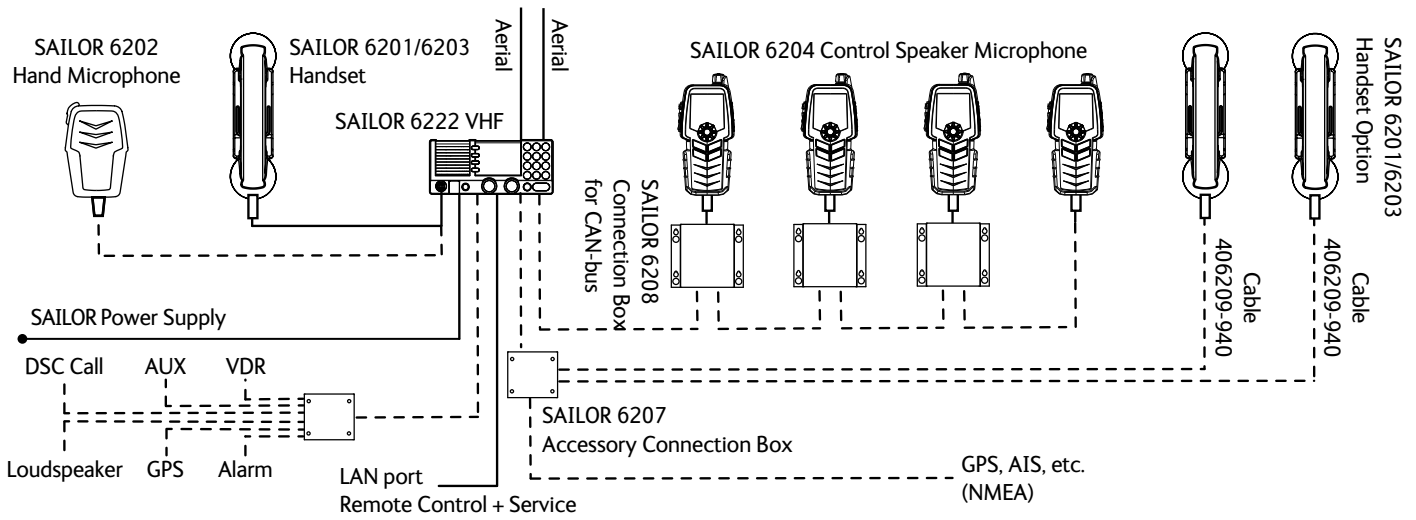
Flexible Solution

A broad portfolio of high quality accessories is available for the SAILOR 6222 VHF, which improve its installation flexibility and operational scope. Handset, hand microphones, SAILOR 6204 Control Speaker Microphone for bridge wing operation, as well as Alarm Panels and external loudspeakers, enable multiple users in different locations to utilize the high performance GMDSS Communication system.



SAILOR® 6222 VHF DSC CLASS A

Improving everyday communications

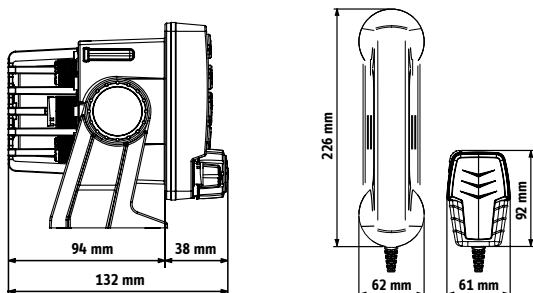
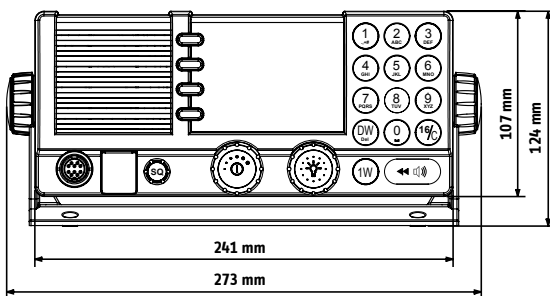


TECHNICAL SPECIFICATIONS

Power supply	12VDC Nominal (10.8– 15.6VDC). Reverse polarity protected
	SAILOR 6090 Power Converter (24-12V) incl.
Operational temperature range	-25 C to +55 C
Storage temperature range	-40 C to +80 C
Stand-by current consumption	< 500mA
Frequency range	TX 156,000-157,425, RX 156,000-163,425 MHz
Option: Extended frequency range in private channels	
Channel spacing	12.5kHz and 25kHz incl. all international maritime channels
Receiver sensitivity	< -119dBm Typically @ 20dB SINAD CCITT Weighted

INSTALLATION

Bracket and flush mounting installation	X (included)
Water ingress	IPx8 and IPx6 all over
Note: In a flush mount installation a sealing gasket is provided. The SAILOR 6203 Handset or SAILOR 6202 Hand Microphone is required in waterproof installations.	
Weight SAILOR 6222 transceiver	< 1.50 kg (3.3 lbs) approx.
Weight SAILOR 6222 transceiver incl. Handset and mounting	< 2.50 kg (4.4 lbs) approx.



FEATURES

SAILOR Replay	X
Display dimming	X
Red backlight	X
Large tactile buttons and wheelknobs	X
Powerful loudspeaker	6W
Alert mute button	X
Dual- / Tri-watch and scanning	X
Transmit power	Hi / Lo: 25W and <1W
Built in DSC Class A (ITU493-13)	X

CHANNELS

International channels	X
US channels (incl. WX)	X
Canadian channels	X
BI channels, incl ATIS and ATIS Killer	X
Private channels (P/F/L)	100

INTERFACES

SAILOR 6204 control speaker microphones	4
SAILOR 6201/6202/6203 Handset/Hand Microphones	3
VDR	X
Printer interface	X
External loudspeaker	6W/8 Ohm

ThraneLINK

ThraneLINK is a sophisticated communication protocol that connects the SAILOR products in a network, offering important new opportunities to vessels. It provides facility for remote diagnostics and enables access to all the SAILOR products from a single point for service. This results in optimized maintenance and lower cost of ownership because less time is needed for troubleshooting and service. Installation is made easier as ThraneLINK automatically identifies new products in the system. The uniform protocol is an open standard which provides a future proof solution for all vessels.

For further information please contact:

www.satcom.ohc@cobham.com