



TITAN-120 ECHO SOUNDER

The TITAN line is a completely new navigation line which combines proven techniques with the modern day technology. The TITAN line is based upon its predecessors, the Falcon and Sigma line and combines the analogue and digital techniques into an extremely versatile navigation line. The new TITAN line is suitable for the new build as well as the replacement market.

TITAN-120

The TITAN-120 is an echo sounder set and operates with the junction box P-120 and a transducer. The echo sounder can be set to 0-4 and 0-40 meters. Between 0 and 4 meters an alarm can be set to warn the operator if the depth reaches the preset minimum. The TITAN-120 Echo sounder is specially designed to operate in shallow waters, making it the ideal depth sounder for the commercial inland shipping industry. The information is displayed on an analogue and a digital indicator.

Sensors

The TITAN-120 system operates with a P-120 smart depth sensor interface box and a depth transducer. With use of a built in filter, the P-120 filters out the disruptions of air bubbles, making it possible to indicate with an analogue gauge.

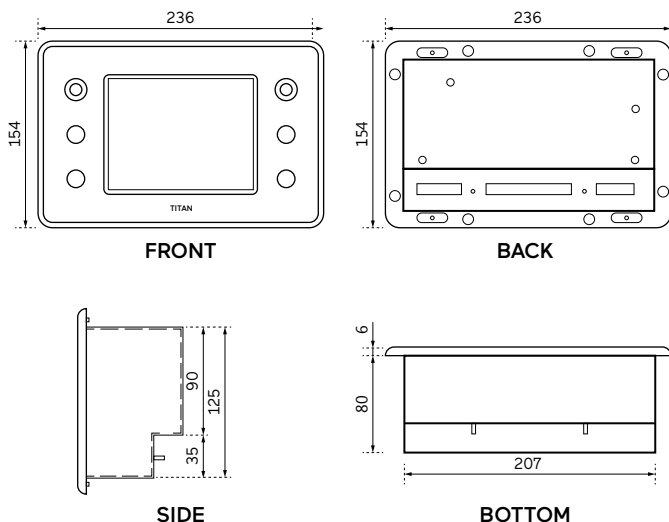
Shallow waters and wake

The TITAN-120 is specially designed to operate in shallow waters. The transducer of the TITAN-120 is accurate up to 0,3m under the hull, where other depth sounders have inaccurate measurements up to over one meter below the hull. The TITAN-120 is accurate even in the wake of another vessel.

Colored lighting

The scale of the TITAN-120 display unit is illuminated with LED- backlighting. The color of the lighting can be set to three different colors, Red, Yellow or Blue, creating a night view adjustable to personal preferences.

Dimensions



Dimming

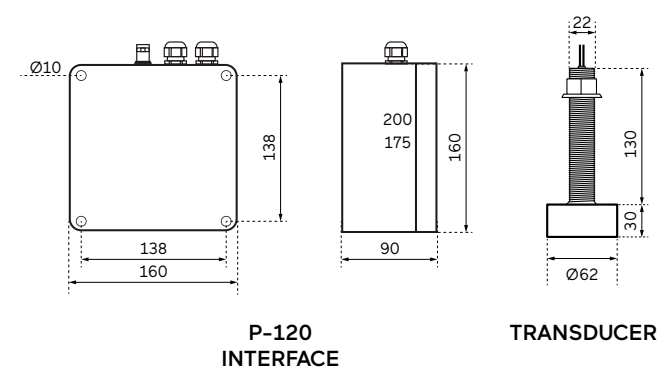
The TITAN-120 display unit can be dimmed synchronized with the rest of the Radio Zeeland DMP display system.

Specifications

Weight	Net weight 1,3kg
Protection	IP-50
Temperature/Humidity	0 to +55°C / 0 to 90% non-condensing
Main Supply / Backup	18-36VDC
Amperage	< 1A
In/Outputs	External dimmer 15VDC PWM with a maximum of 150mA Repeater 0 - 1mA NMEA out ICE 61161 (DBT, DPT) 1x Ethernet port

P-120 Sensor specifications

Main Supply / Backup	18-36VDC
Amperage	< 1A
Measuring range	0,3 - 40m



**For more information,
contact one of our experts today!**

T +31 104283344
E sales.binnenvaart@radioholland.com
www.radioholland.com

Pricing is subject to exchange rates.

ALWAYS THERE. EVERYWHERE.