



TITAN-550 AUTOPILOT

The TITAN line is a completely new navigation line which combines proven techniques with the modern day technology. The TITAN line is based upon its predecessors, the Falcon and Sigma line and combines the analogue and digital techniques into an extremely versatile navigation line. The new TITAN line is suitable for the new build as well as the replacement market.

TITAN-550

The TITAN-550 operating unit is one of the Radio Zeeland DMP autopilots. Along with the P-503 junction box, the TITAN-100 rudder angle indicator and an optional TITAN-300 rate of turn indicator the TITAN-550 is a complete autopilot set. This system can be connected to any approved rate of turn Indicator, by use of the P-503 Junction box and P-100 Sensor. This is made possible because the rudder angle is indicated on the TITAN-550's LCD display.

LCD display

The small LCD display provides a digital read out of the rudder angle, alarms, functions and indications. This ensures a quick and orderly overview of the provided data.

Steering

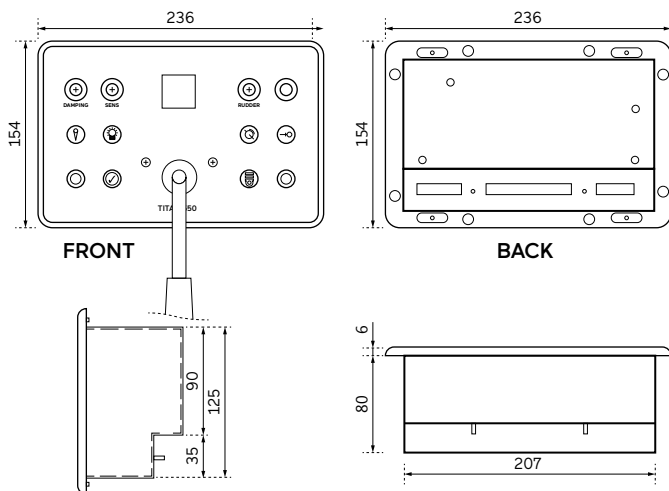
With the TITAN-550 there are three possible ways to steer the vessel. That is by R.O.T. pilot, by follow up steering, or by an auxiliary pilot.

Additions

In some cases it is desirable to expand your pilot with either extra indicators or repeaters, this all lies within the possibilities of the TITAN-550. Whether it is one or more additional TITAN-550 or TITAN-650 devices, your wheelhouse will be expandable in numerous ways when installing the TITAN-550 autopilot.

Dimensions

Controller



**For more information,
contact one of our experts today!**

T +31 104283344
E sales.binnenvaart@radioholland.com
www.radioholland.com

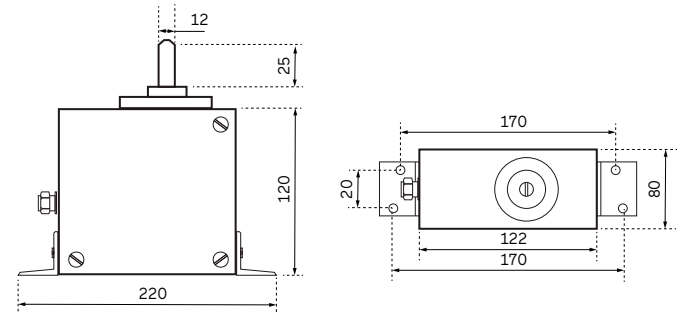
Specifications

Weight	Net weight 1,35kg
Protection	IP-50
Temperature/Humidity	0 to +55°C / 0 to 90% non-condensing
Main Supply / Backup	18-36VDC fused @900mA self recovering
Amperage	< 1A (without repeaters)
In/Outputs	External dimmer 15VDC RWM with a maximum of 150mA Repeater -1 - 0 - 1mA NMEA out IEC 61162 (ROT) 1x Ethernet port

P-100 Sensor specifications

Main Supply	12-36V DC.
Amperage	Less than 200mA.
	- Non-contact magnetic recording angle.
Resolution	0,5°
	Zero-point adjustable over the entire field line. 360° mechanical and electrical rotation. NMEA RSA output signal (not galvanically separated) -10V to +10V analog output, galvanically separated DIP switch selectable port feedback unit or starboard feedback unit.

Sensor P-100



Pricing is subject to exchange rates.

ALWAYS THERE. EVERYWHERE.