



S3009

# Navigation Echosounder



# S3009 Navigation Echosounder

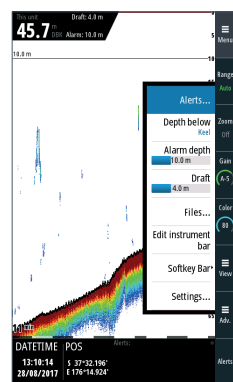
The Simrad S3009 Navigational Echosounder meets the requirement for reliable and accurate bottom tracking and depth recording on a wide range of commercial vessels.

Exceeding the latest performance standards for IMO compliance, the S3009 features modern controls for easy operation. The single-transducer S3009 system is cost effective, compact, and easy to install in tight spaces. An S3009 expanded system is also available, which adds the S5100 transceiver to enable separate bow and stern transducers.

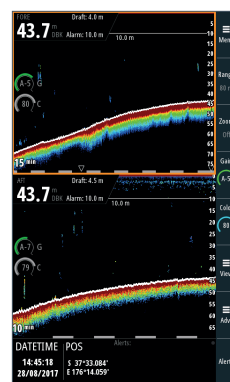


## FEATURES

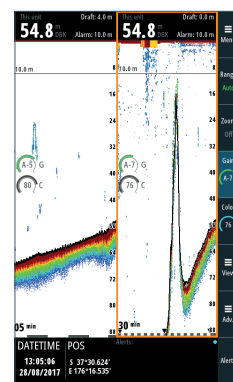
- IMO type approved echosounder with integrated display
- Meets IMO resolutions A.224(VII), MSC.74 (69) Annex 4
- Highly accurate depth recording with 12 hour stored history
- Cost effective and compact system for smaller, single-transducer vessels
- Expanded S3009+S5100 system supports split screen readout with bow and stern transducers
- 9-inch 480x800-pixel high-brightness LCD
- Easy-access front SD card slot for recording depth data
- Industry standard 50 kHz and 200 kHz transducers
- Complements Simrad and other navigation equipment with standard IEC interfaces



Modern interface is simple to operate and has quick access to basic tasks such as setting alert depth and changing draft setting.



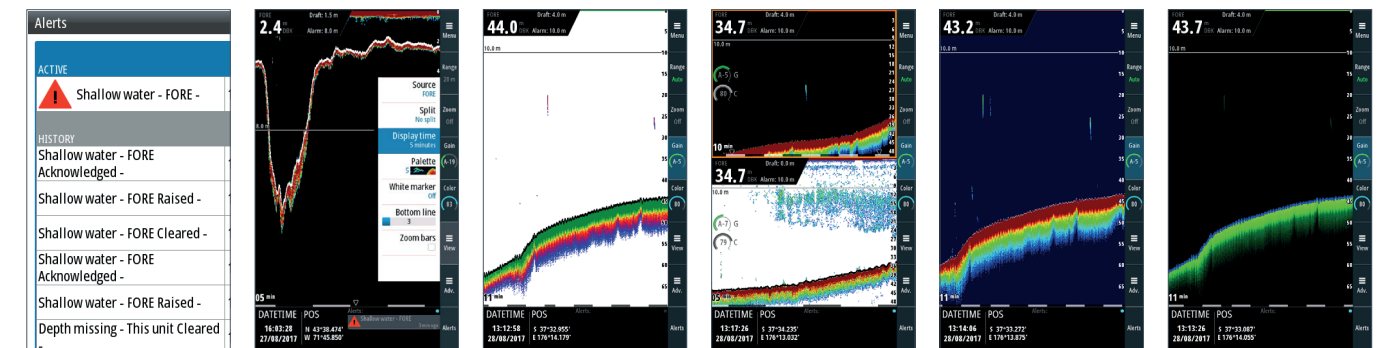
Available in dual transducer configuration for bow and stern transducers. Flexible split screen function can be tailored to vessel specific requirements.



Highly reliable data with onscreen scrollback mode for depth history viewing. Removable SD storage allows longer recordings.

## FUNCTIONS

High resolution display with 10 levels of day/night adjustment and 7 color combinations for optimum visibility.



Alert page displays active alerts and historical log of alert conditions

Choose 5, 10, 15, 30, or 60 minutes of depth history to show on-screen

White/multi echo with black line

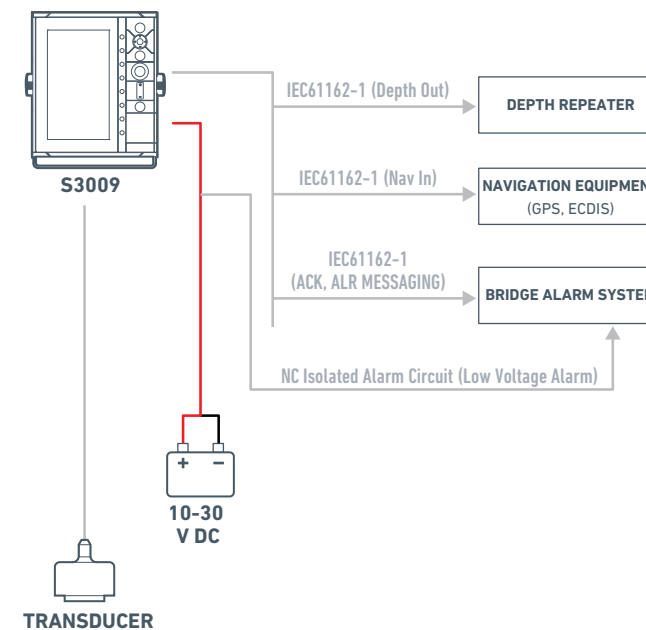
Black/multi echo with white line

Dark blue/multi echo with white line

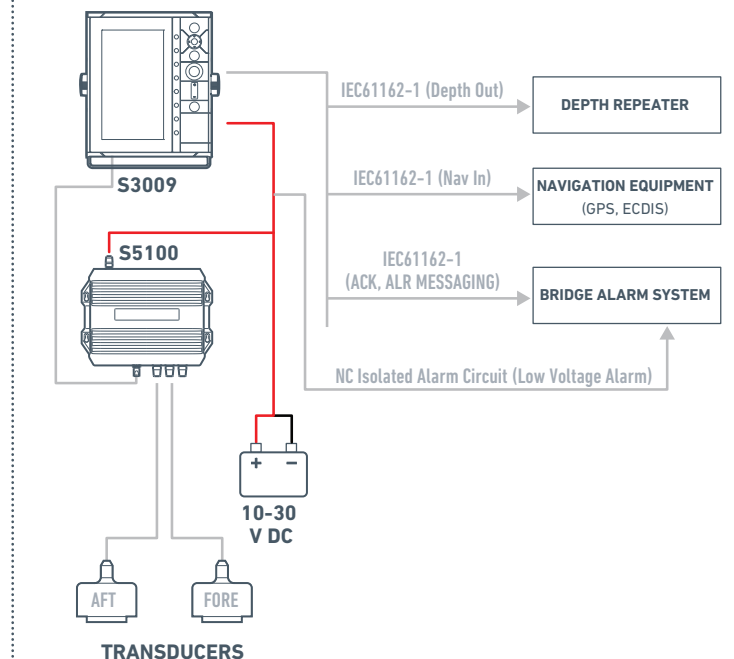
Black/green echo with blue line

## INTERFACING

### Single Transducer



### Dual Transducer

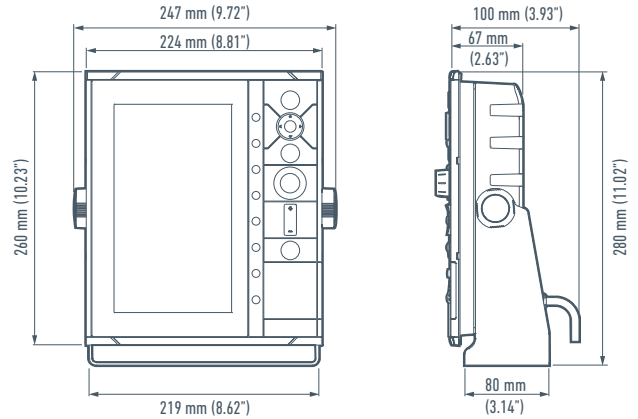


## SPECIFICATIONS

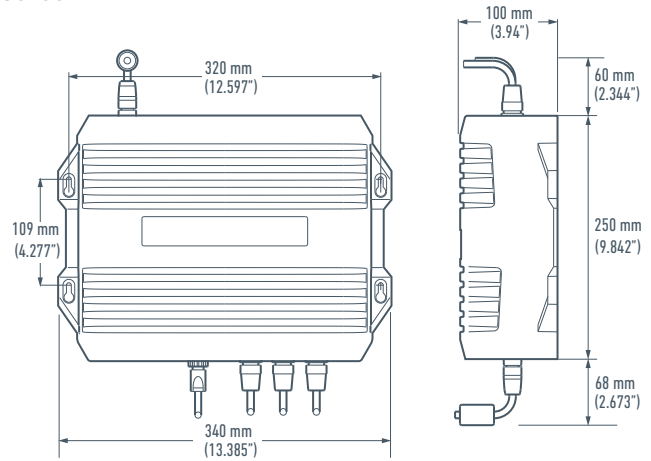
Display:	9-inch diagonal, 480 x 800 pixel LCD
Backlighting:	LED backlit Day/night brightness with 10 increments 1200 cd/m2 max brightness
Echo colors:	white water background, multi color echo, black line bottom dark blue water, multi color echo, white line bottom black water, multi color echo, white line bottom black water, green echo, blue line bottom
Transducers:	50 kHz; 000-14218-001 200 kHz; 000-14219-001
Frequencies:	Single Channel S3009; 50 kHz or 200kHz based on transducer selection Dual channel w/S5100; 50/50 kHz; 50/200 kHz; 200/200 kHz
Output Power:	1kW RMS
Ranges:	Auto; Selectable upper and lower depth limits - up to 2400m
Accuracy:	Better than 0.5m at 20m range; better than 5m at 200m Range; or 2.5% of depth range
Time Ranges:	5, 10, 15, 30, 60 mins display on-screen Scrollback function for history
Recording:	12hr internal recording log SD Card recording longer duration; easy removal; CSV datafile
Controls:	Rotary menu control & adjust knob 8 softkey menu buttons Customized transducer naming Easy adjust draft slider (with rotary) Easy adjust depth alarm slider w/visual Alert history & acknowledge softkey
Interfaces:	2 x IEC 61162-1 (NMEA0183), 1 x IEC 61162-3 (NMEA2000), 1 x Ethernet Serial Output: Choose Standard NMEA, ALR/ACK, BAM NMEA0183 Output: DBT, DPT NMEA0183 Bridge output if IEC 61162-3 (NMEA2000) Data input
Power Supply:	DC: 10.8-31.2V
Operating Temperature:	-15deg C to 55deg C
Water Protection:	IPx5 (S3009 and S5100)
S5100 Transceiver:	Dual channel Single channel

## DIMENSIONS

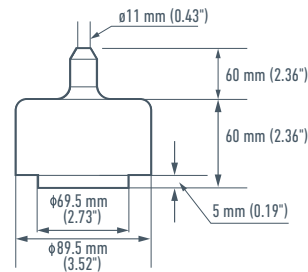
### S3009



### S5100



### TGM50 and TGM200



## GLOBAL SERVICE



Our Service and Support hotlines are available 24/7/365.

### Comes with:

- 2 Year Warranty
- Extended Warranty Options
- Global Service Network
- 2 Year OnBoard Support\*
- 24 Hour Replacement\*

\*Applies to certified vessels only

DISTRIBUTED BY

**SUPPORT** ▶ Navico Americas +1 918 438 8669 / 855-241-3598 (Toll free)  
Navico Asia Pacific +64 9 925 4595  
Navico EMEA +31 786 530 004

**SALES** ▶ Navico Americas +1 832 377 9578 sales.americas@navico.com  
Navico Asia Pacific +64 9 925 4500 sales.apacnz@navico.com  
Navico EMEA +44 1794 510 010 sales.emea@navico.com

